



## Installation, Precautions & Servicing

# Ador – Luma – Valentino - Jaeger

### IMPORTANT

Carefully remove the fire from the packing checking neither the heater nor the power cable has been damaged during transport. Do not operate the fire if damaged. Please bear in mind the weight of the fire before removal from the packaging and installation. Consider if help is required. Always read this manual first before attempting to install or use and keep in a safe place. Any alteration to the power cable should only be done by a qualified electrician.

Your fire is guaranteed for two years from the date of purchase. In the unlikely event of a breakdown you have access to our customer services team, simply call **01543 251122** during office hours, 9am – 5pm or e-mail on [info@flameritefires.com](mailto:info@flameritefires.com) The accessories are found in a box that is packed at the side of the fire.

*This product is only suitable for well insulated spaces or occasional use*

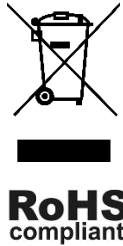


## Important Safety Information and Warnings

- **WARNING:** In order to avoid overheating, do not cover the heater.
- For indoor use only.
- Do not use the fire in the vicinity of a bath, shower or swimming pool.
- Never use the fire to dry laundry.
- The heater must not be located immediately below a socket outlet.
- The use of an extension lead is not recommended.
- This appliance can be used by children aged from 8 years and above and persons with reduced physical, sensory or mental capabilities or lack of experience and knowledge if they have been given supervision or instruction concerning use of the appliance in a safe way and understand the hazards involved. Children shall not play with the appliance. Cleaning and user maintenance shall not be made by children without supervision.
- Children of less than 3 years should be kept away unless continuously supervised
- Children aged from 3 years and less than 8 years shall only switch on/off the appliance provided that it has been placed or installed in its intended normal operating position and they have been given supervision or instruction concerning use of the appliance in a safe way and understand the hazards involved.
- Children aged from 3 years and less than 8 years shall not plug in, regulate and clean the appliance or perform user maintenance.
- Some parts of this product can become very hot and cause burns. Particular attention must be given where children and vulnerable people are present
- Caution should be applied to ensure that children do not play with the fuel effects.
- As with any electrical appliance whilst the instructions aim to cover as many eventualities as possible, caution and common sense should be applied when operating your appliance, particularly in the vicinity of small children.
- **CAUTION:** The heater is fitted with an automatic cut out to prevent any damage due to overheating. The element will continually and automatically cut out if the airflow is obstructed. **Never** cover the air outlets. To reset, switch the fire off, disconnect from the mains supply, remove the cause of the overheating. Allow to cool for a suitable period then switch the fire back on.
- **CAUTION:** In order to avoid a hazard due to inadvertent resetting of the thermal cut out, the appliance must not be supplied through an external switching device, such as a timer, or connected to a circuit regularly switched on and off by a utility.

**Where a chimney is not blocked off completely, any draw will cause the heater to cut out during use. Care should also be taken when fitting into a cavity wall in case of damp or draft with external air vents fully sealed**

## RECYCLING



Please recycle responsibly. Take your item to your local recycling centre. You can easily locate your nearest centre on the [www.recyclenow.com](http://www.recyclenow.com) website or check with your retailer for details on either a collection service or a store take-back scheme (some may apply charges). Councils may offer a household recycling collection service for small electrical items; contact your local authority for more details.

## Electrical Connections

**Electrical connections.** Your appliance comes fitted with a plug that incorporates a 13A fuse. The replacement fuses must be 13A and ASTA approved. If the fuse cover is lost the plug must not be used until a replacement cover, of the same colour, is obtained from an electrical retailer. The appliance is fitted with a moulded plug if it is necessary cut off the plug, for any reason, it must be discarded immediately with the fuse removed. Under no circumstances should any attempt be made to reuse the plug, do not insert into any 13A socket as this could cause a hazard. If the mains cable is damaged it must be replaced by the manufacturer or an authorised technical service centre.

### WARNING THIS APPLIANCE MUST BE EARTHED

#### IMPORTANT

The wires in the mains lead are coloured in accordance with the following code.

Green and yellow:	EARTH
Blue:	NEUTRAL
Red:	LIVE

As the colours of the wires in the mains lead of this appliance may not correspond with the colour markings in your plug proceed as follows: -

- The wire which is coloured green and yellow must be connected to the terminal in the plug which is marked with the letter E, or coloured green or coloured green and yellow, or marked with the earth symbol
- The wire which is coloured blue must be connected to the terminal in the plug which is marked with the letter N, or coloured black.
- The wire which is coloured brown must be connected to the terminal in the plug which is marked with the letter L, or coloured red.

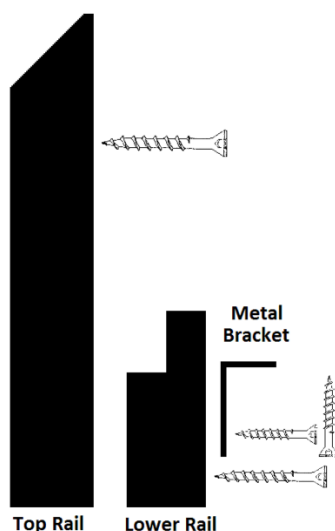
**Insert the plug tightly into its IEC connector underneath the fire if not already done so. If the removal of the plug is absolutely necessary for installation, cut off in an area within 100mm only of the plug itself. Any further will affect your warranty.**

# Installation Instructions

## Wall mounting

Suite	Screws	Rawl Plugs
Luma	3x 60mm 2x 35mm 2x 16mm	3x 50mm 2x 34mm
Ador	3x 60mm 2x 35mm 2x 16mm	3x 50mm 2x 34mm
Jaeger	4x 60mm 2x 35mm 2x 16mm	4x 50mm 2x 354mm

The height at which you may wish to fix the fire in the wall is up to you, though we recommend anywhere from 350-450mm from the floor to the bottom of the fire opening (not the bottom of the fire).



- The top MDF fixing rail should be fixed to the wall with the highest edge facing forward and the lowest against the wall using the 3x 60m screws and 3x 50mm rawl plugs.
- The corresponding edge where the suite is to be hung on the top fixing rail can be found on the back, at the top and across the suites centre.
- Once the top fixing rail is secured to the wall, lift and hook the suite onto it.
- The lower MDF rail should then be added to the underside of the suite. A channel in the underside will be visible, the bottom rail will slot into this.
- With the suite in place, mark off the holes to be drilled, remove the suite and secure the lower rail to the wall using the 2x 35mm screws and 2x 35mm rawl plugs. Refit the suite, lift and hook onto the brackets.
- Finally fit the metal bracket to the lower rail and to the underside of the suite using the 16mm wood screws. This will prevent the suite from being lifted off the fixing rails.

## **Valentino suite**

- Your Valentino Suite is a freestanding and flat wall fix. Mirror clips are provided so you may secure it to the wall

## Log Effect

Your fuel effect may depend on what you have ordered to go with your suite. Pebbles & glass beads come as standard. A small ember set can be part of this effect, all of which should be arranged randomly across the fuel bed to suit (not pictured).

The log effect must be positioned according to the images below.

The **Jaeger 1360** uses OmniGlide tilting glass, care must be taken to ensure there is enough room between the front of the logs and the glass channel at the front of the opening so the glass may tilt open freely into the fire and trigger the micro switch.

Visit [www.flameritefires.com/product-support/instructions-fuel-effects.html](http://www.flameritefires.com/product-support/instructions-fuel-effects.html) if you require clearer downloadable images.

### ***Fuel Bed***



### **Small Cinder**



## Verada



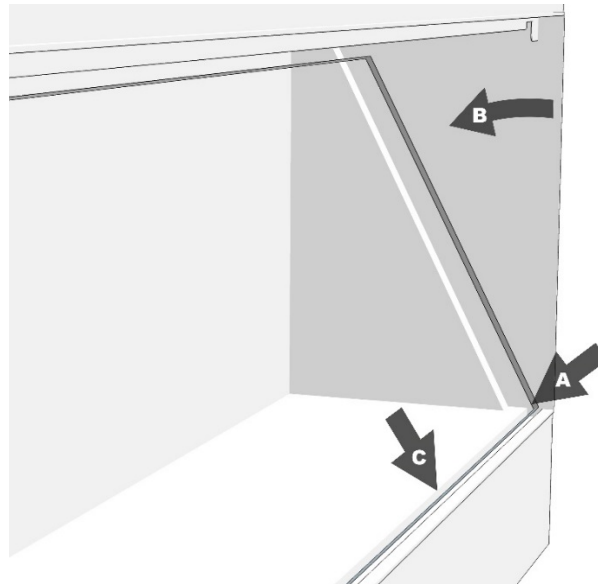
## Large Cinder



# Jaeger 1360 Glass Fitting & Removal

**WARNING:** The glass used is toughened, if mishandled it is designed to shatter. Extra care should be taken during this procedure. Make sure the fire is turned off and the heater allowed to cool.

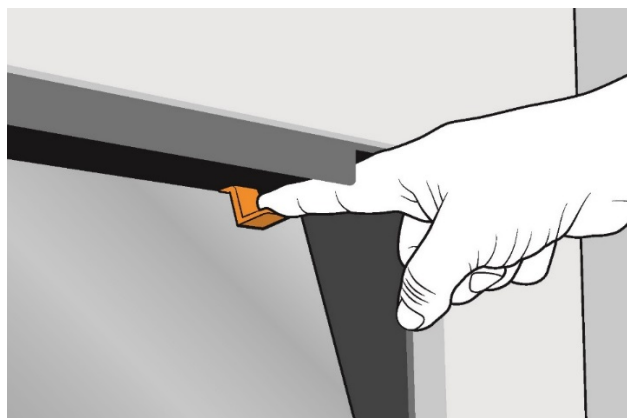
## Insert



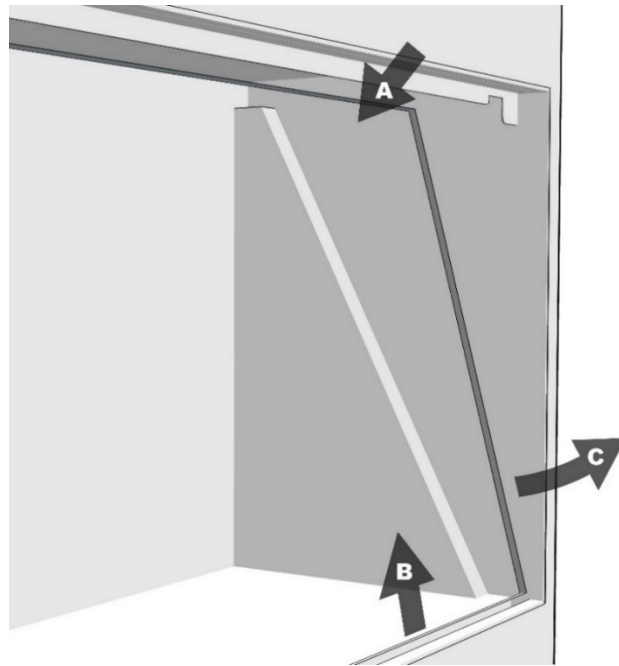
- **A** Hold the glass panel in each bottom corner
- **B** Tilt the top of the glass into the fire
- **C** Place the bottom on the glass panel into the channel
- Adjust the glass panel side to side for a smooth forward and backwards action

## Opening & Closing

To open and close the front glass panel, place your index finger on the handle as shown in the picture. You must tilt the glass back to use OmniGlide heat and flame enhancement. Make sure the glass hits and triggers the internal switch to ready the heat, an audible 'click' will be heard. The heater will not work if the switch is not triggered.



## Remove



- **A** Hold the glass panel across the top either side of the heater
- **B** Pull up and outward of the channel toward you **C**. **Do not rest on a hard surface**

## Maintenance

**WARNING:** Before any maintenance/cleaning is undertaken, always disconnect the fire from the mains power supply.

### Replacing *Radia Flame* LED Lamps

Dimmable 240V 6W 3000k E14 LED lamps

We recommend lamp replacement by a Flamerite service engineer or similarly qualified persons in order to avoid a hazard. Allow a suitable time for the lamps to cool then remove the glass & fuel effect (see Installation). Remove the two screws from either side of the fuel bed and lift out of place. Remove and replace the lamps, fuel bed, fuel effect and glass. Please note that replacement lamps are covered by a 2-year warranty. Replacements are available from Flamerite Fires Ltd

### Replacing *Nitra Flame* LED Strips

LED Strips and driver replacement must be undertaken by a Flamerite service engineer or similarly qualified persons in order to avoid a hazard. Please note that replacement lighting is covered by a 2-year warranty. Replacements are available from Flamerite Fires Ltd

## Cleaning

The fire can be cleaned with a soft cloth and non-abrasive glass cleaner.



## Trouble Shooting

- **No power to the fire:** Check the wall socket, plug, fuse and dimmer.
- **Heat turns off quickly after turn on:** Set thermostat to a higher temperature.
- **No illumination:** Make sure fire is turned on. Check heater is working, if so check dimmer.
- **Heater blowing cold air:** The safety cut out may have operated. Check for obstruction around the heater. If continually a problem and fitted into a cavity wall or chimney breast check with installer the inset opening has been 100% fully sealed from drawn air and draft.
- **Noise when illuminated:** Due to moving parts, the electric fire will make a noise.
- **Noise from the heater when in use:** The sound of rushing air is normal.

## Information Requirements

### Information requirement for electric local space heaters

#### Radia Flame

Model identifier (s)		Ador	Luma 900	Luma 1200	Jaeger 1020	
<i>Item</i>	<i>Symbol</i>	<i>Value</i>	<i>Value</i>	<i>Value</i>	<i>Value</i>	<i>Unit</i>
<b>Heat output</b>						
Nominal heat output	Pnom	2	2	2	1.5	kW
Minimum heat output (indicative)	Pmin	1	1	1	0.75	kW
Maximum continuous heat output	Pmax,c	2	2	2	1.5	kW
<b>Auxiliary electricity consumption</b>						
At nominal heat	elmax	0.035	0.043	0.043	0.033	kW
At minimum heat	elmin	0.035	0.043	0.043	0.033	KW
Instandby	eISB	0.0005	0.0005	0.0005	0.0005	kW
<b>Type of heat output/room temperature control</b>						
With distance control option						
Room temperature control, with open window detection						Yes
Adaptive Start						Yes
With electronic room temperature control plus week timer						Yes
<b>Contact details:</b>	Flamerite Fires Ltd. Greenhough Road, Lichfield. Staffs. WS137AU					

Model identifier (s)		Jaeger 600	Valentino	Luma 1360	Jaeger1360	
<i>Item@</i> 240v 50Hz	<i>Symbol</i>	<i>Value</i>	<i>Value</i>	<i>Value</i>	<i>Value</i>	<i>Unit</i>
<b>Heat output</b>						
Nominal heat output	Pnom	1.5	2	1.5	1.5	kW
Minimum heat output (indicative)	Pmin	0.75	1	0.75	0.75	kW
Maximum continuous heat output	Pmax,c	1.5	2	1.5	1.5	kW
<b>Auxiliary electricity consumption</b>						
At nominal heat	elmax	0.033	0.043	0.061	0.051	kW
At minimum heat	elmin	0.033	0.043	0.061	0.051	kW
Instandby	eISB	0.0005	0.0005	0.0005	0.0005	kW
<b>Type of heat output/room temperature control</b>						
With distance control option						
Room temperature control, with open window detection						Yes
Adaptive Start						Yes
With electronic room temperature control plus week timer						Yes
<b>Contact details:</b>	Flamerite Fires Ltd. Greenhough Road, Lichfield. Staffs. WS137AU					

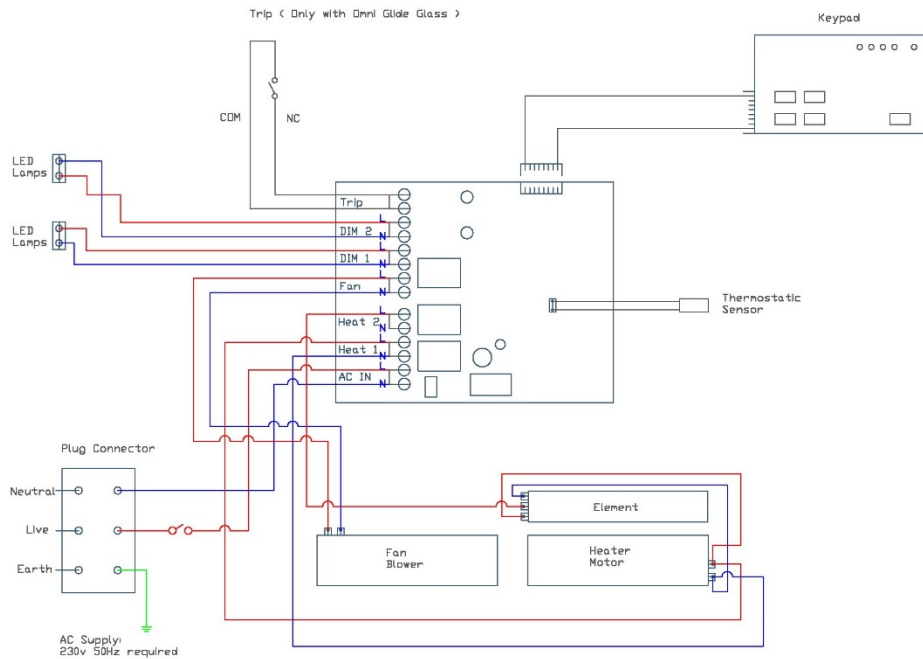
## Nitra Flame

Model identifier (s)		Ador	Luma 900	Luma 1200	Jaeger 1020	
<i>Item</i>	<i>Symbol</i>	<i>Value</i>	<i>Value</i>	<i>Value</i>	<i>Value</i>	<i>Unit</i>
<b>Heat output</b>						
Nominal heat output	Pnom	2	2	2	1.5	kW
Minimum heat output (indicative)	Pmin	1	1	1	0.75	kW
Maximum continuous heat output	Pmax,c	2	2	2	1.5	kW
<b>Auxiliary electricity consumption</b>						
At nominal heat	elmax	0.029	0.037	0.037	0.027	kW
At minimum heat	elmin	0.029	0.037	0.037	0.027	KW
Instandby	eISB	0.0005	0.0005	0.0005	0.0005	kW
<b>Type of heat output/room temperature control</b>						
With distance control option						
Room temperature control, with open window detection						Yes
Adaptive Start						Yes
With electronic room temperature control plus week timer						Yes
<b>Contact details:</b>	Flamerite Fires Ltd. Greenhough Road, Lichfield. Staffs. WS137AU					

Model identifier (s)		Jaeger 600	Valentino	Luma 1360	Jaeger1360	
<i>Item@</i> 240v 50Hz	<i>Symbol</i>	<i>Value</i>	<i>Value</i>	<i>Value</i>	<i>Value</i>	<i>Unit</i>
<b>Heat output</b>						
Nominal heat output	Pnom	1.5	2	1.5	1.5	kW
Minimum heat output (indicative)	Pmin	0.75	1	0.75	0.75	kW
Maximum continuous heat output	Pmax,c	1.5	2	1.5	1.5	kW
<b>Auxiliary electricity consumption</b>						
At nominal heat	elmax	0.027	0.037	0.051	0.041	kW
At minimum heat	elmin	0.027	0.037	0.051	0.041	kW
Instandby	elSB	0.0005	0.0005	0.0005	0.0005	kW
<b>Type of heat output/room temperature control</b>						
With distance control option						
Room temperature control, with open window detection						Yes
Adaptive Start						Yes
With electronic room temperature control plus week timer						Yes
<b>Contact details:</b>	Flamerite Fires Ltd. Greenhough Road, Lichfield. Staffs. WS137AU					

# Circuit Diagram

## Radia Flame



## Nitra Flame

